

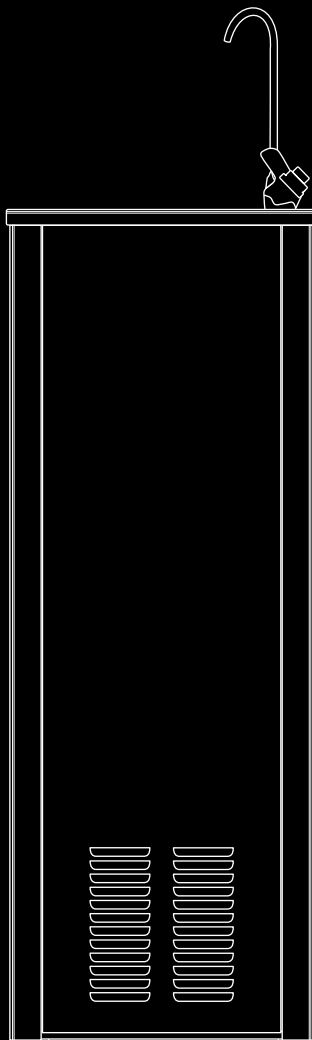
Install & Operation Guide



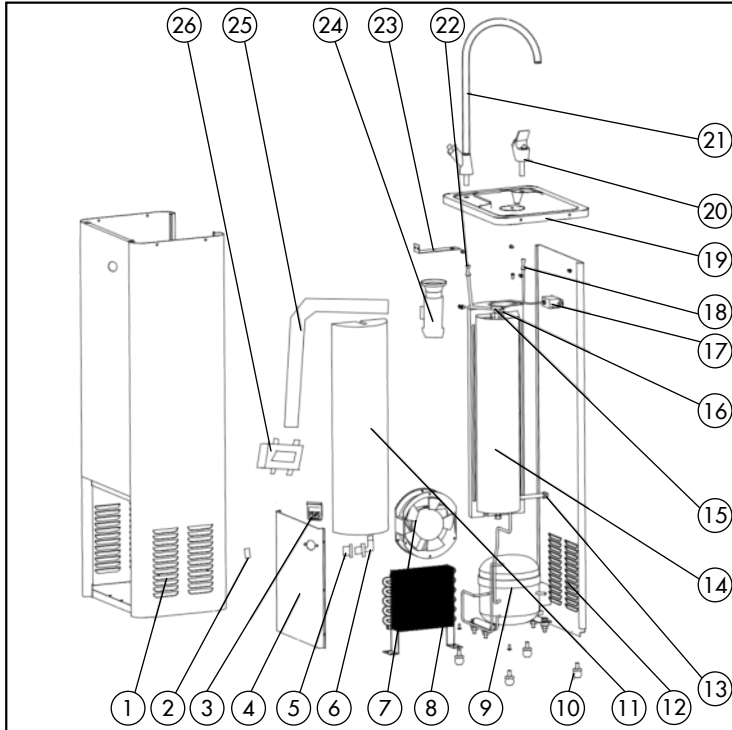
chilled

Contents

Page No	Description
2	Major Components
3	Parts to Assemble
3	Installation
4	Water Connection
5	Operation & Maintenance
5	Performance Data
6	Fault Diagnosis Guide
6	Electrical Diagram
7	General Safety Advice
8	Maintenance & Removal



Major Components

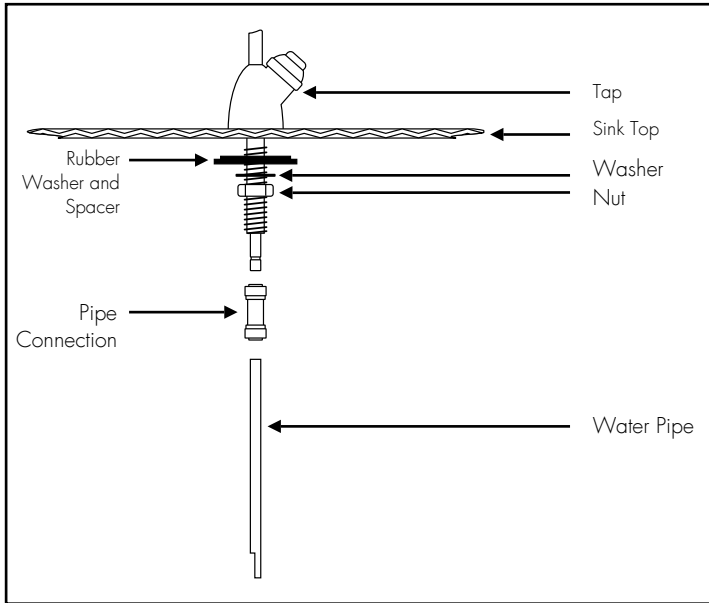


- | | | |
|---|---|---|
| 1. Main Shell | 11. Tank Insulation | 19. Top Panel |
| 2. Dust Cap | 12. Front Panel | 20. Bubbler Faucet |
| 3. Power Cable Terminal | 13. Drain Plug | 21. Swan-neck Faucet* |
| 4. Lower Back Panel | 14. Cold Water Tank | 22. Push-fit Connector of the
Swan neck Faucet |
| 5. G $\frac{3}{4}$ BSP - Male Water
Connection | 15. Connector of Cold Tank
Outlet Water | 23. Cold Tank Fix Brackets |
| 6. G $\frac{1}{2}$ - $\frac{1}{4}$ Connection | 16. Connector of Cold Tank
Inlet Water | 24. Waste Tray |
| 7. Fan | 17. Cold Thermostat | 25. Flexible Waste pipe* |
| 8. Condenser | 18. Push-fit Connector of the
Bubbler Faucet | 26. Terminal Box |
| 9. Compressor | | 27. Power Cord Set* |
| 10. Adjustable Feet | | |

* Supplied loose packed for fitting at point of installation.

Parts to Assemble

The swan-neck installation instruction is as following:



Installation

The following is a guide but the installer is responsible to comply with any local regulations that may be applicable to this type of installation.

1. Install near to a convenient place to connect to a mains pressure water supply of drinking water quality and 220-240V/50Hz electrical supply.
2. Avoid areas exposed to excessive heat, humidity, rain or snow or direct contact with water spray or splashing.
3. Avoid positions of direct sunlight or solar heat.
4. Install only on flat, level and well supported surfaces.

Installation continued

5. Avoid tilting the machine during installation. If the machine has been tilted excessively for more than a few minutes during or before installation, leave to stand for approximately one hour before switching on.

6. Allow an air gap of at 100mm each side and at the front of the machine.

7. Once positioned and levelled remove the Front panel.

8. Unpack the swan-neck tap, fasten to the sink top and connect to the water pipework. If

necessary remove the sink top to carry this out. (See page 3)

9. Install/connect the waste water system as selected. Do not use the fountain without any waste system being fitted to the open end of the waste fitting.

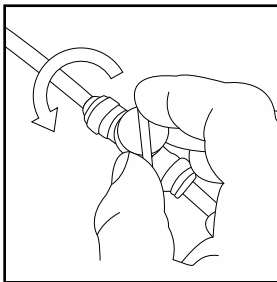
10. An access port hole for services is provided on the rear of the cabinet and there is a closed rubber grommet pre-fitted which can be opened to protect the cabinet and pipe where it passes through the access port hole.

Water Connection

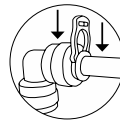
1. Connect the inlet water supply to the 3/4" threaded connection at the rear. (Fit a Pressure Reducing Valve to regulate the water pressure as required. Max 3.5 bar) Ensure a stop tap valve for the water is easily accessible. We also recommend the use of a water-block and non-return valve to be fitted.

2. We recommend that a filter is also fitted to ensure water of the highest quality. A mounting bracket is provided inside the cabinet. Always pre-flush any filter before fitting.

3. Switch on the water and check the water tightness of all connections and fittings.



4. Open both the swan-neck and bubbler tap

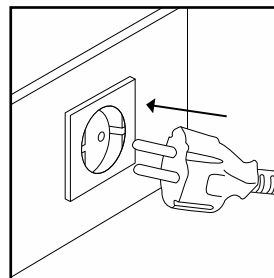


IMPORTANT!

ALWAYS ENSURE SECURITY CLIPS ARE USED ON ALL WATER AND CO2 CONNECTIONS.

to vent the system until the water dispenses. This may take time while the system fills. Flush through at least 5 ltrs of clean water. The fountain is supplied in clean condition but it is the responsibility of the installer to ensure an acceptable standard of hygiene. If necessary carry out a sanitization procedure upon initial installation at this point taking care to avoid contaminating any filters as fitted. Continue to ensure water tightness of all connections and fittings.

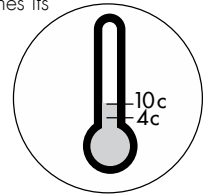
5. Connect the power cord set provided into the connection point inside the cabinet and securely fasten the cable in the 2 cable clamps also provided. Switch on the electrical supply.



6. The thermostat is factory preset and should not need further adjustment.

7. Refit the Front panel.

8. Allow 1hr for the water to cool before the dispense water reaches its operational temperature.



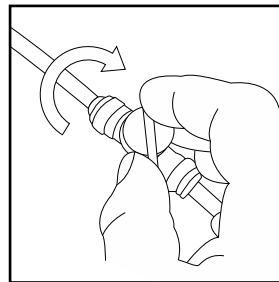
Operation & Maintenance

1. Frequently clean the fountain using warm soapy water. Avoid all abrasive and corrosive cleaning materials.

2. Do not pour any dregs or other waste into the waste water fitting to avoid blocking the waste system.

3. If required, the power can be switched off when not using the fountain for an extended period of time (e.g. more than 3 days) to conserve energy. However we recommend that the fountain is cleaned and at least 10 litres of water is flushed through upon switching on again for re-use. It may also be necessary to change the filter after an extended period of dis-use.

4. Keep the area surrounding the fountain clean and dry.



In the event of any leakages, switch off the water and power and call your service engineer.

Performance Data

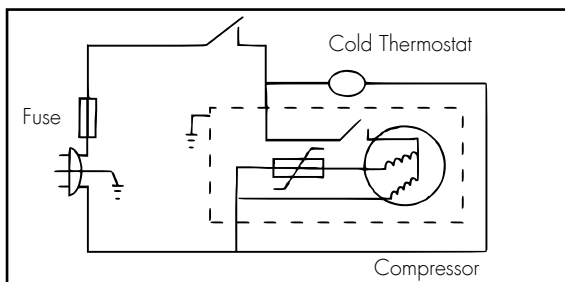
Function	Voltage	Frequency	Max Cooling Power
Cooling	220 - 240V	50Hz	120W
Cooling Capacity	Refrigerant Type	Refrigerant Charge	
40 Ltrs/Hour	R134a	110g	

Fault Diagnosis Guide

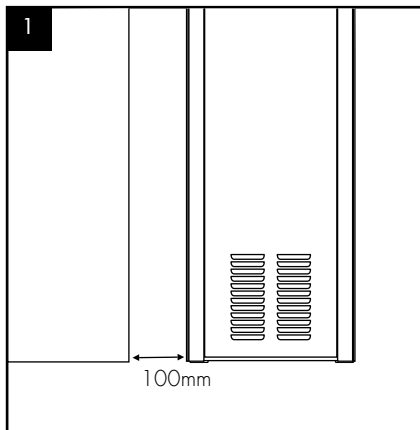
Fault	Possible Cause	Suggested Action
Not Cooling	The compressor is not running	Check the power is switched on
The power is on but not cooling	The thermostat is set too high	Reduce the thermostat temperature setting
Water leakage	The pipes or connections are leaking	Switch off power turn off water and call your service engineer
Slow water flow	The filter is blocked	Change the filter
No water dispenses from the taps	Water inlet valve(s) closed or other blockage	Open and/or reset the water inlet valve(s) and/or check water supply pipe
Drainage waste blocked	Debris has blocked up the waste system	Clear the obstruction

In the event of any other breakdown, please call your service engineer.

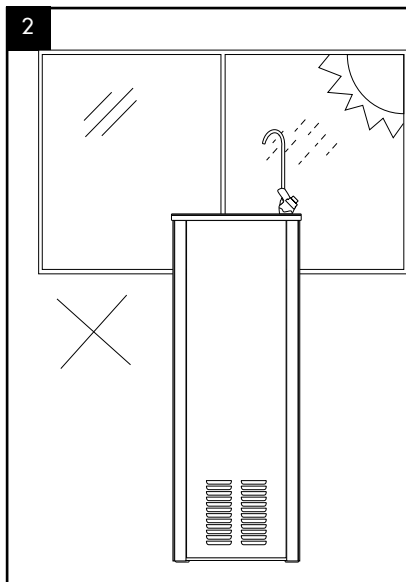
Electrical Diagram



General Safety Advice

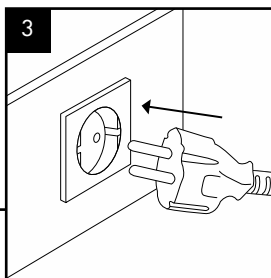


Allow an air gap of at least 100mm on each side and at the front of the machine.



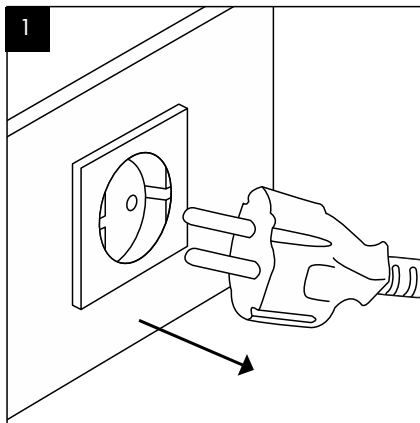
Avoid areas exposed to excessive heat, humidity, rain or snow or direct contact with water spray or splashing.

Avoid positions of direct sunlight or solar heat.

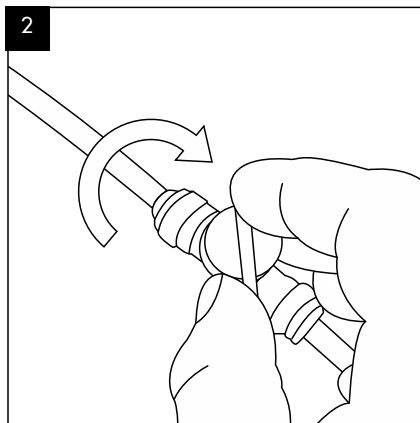


Be sure to use single outlet socket with correct power voltage. Plug the power cord directly into the electrical socket.

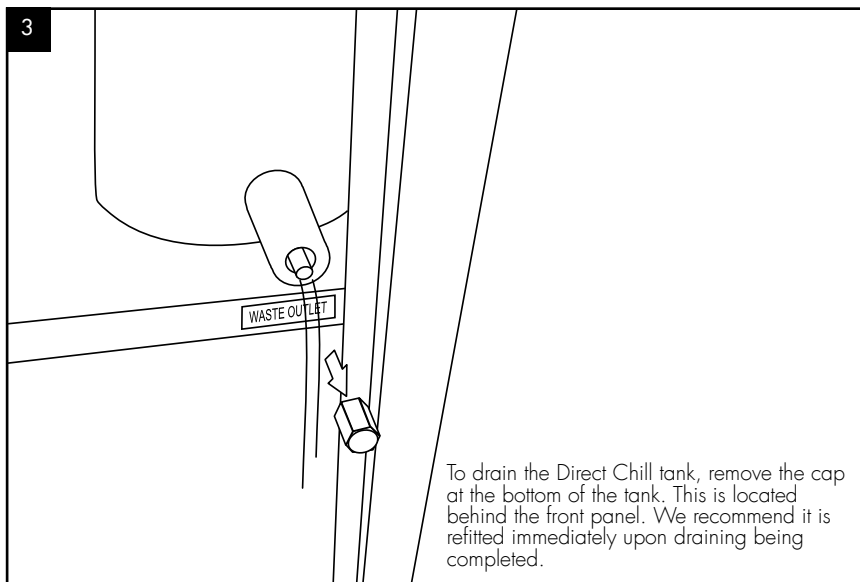
Maintenance & Removal



Please make sure the machine is completely disconnected from electricity before carrying out any maintenance work.



Turn off the water supply.



To drain the Direct Chill tank, remove the cap at the bottom of the tank. This is located behind the front panel. We recommend it is refitted immediately upon draining being completed.